

S E R V I C E N O T E

SUPERSEDES: NONE

37717C PDH/SDH/Jitter Test Set

Serial Numbers: N/A

Build Status: Below 2. 96

Fix to the Processor chip

To be Performed by: Qualified Service Personnel

Parts Required: Double sided tape 0460-2159

Situation

If the CPU assembly, A3D or A3B, is subjected to mechanical shock, this can cause the processor chip to jump out of its socket.

Solution/Action

1. Remove CPU from 37717C
2. Cut two strips of double sided tape approx 40mm long
3. Press the tape to both faces of the processor chip and socket (see fig 1).
4. Remove protective paper from both sides of the tape.

Continued

DATE: March 1998

ADMINISTRATIVE INFORMATION

SERVICE NOTE CLASSIFICATION:

MODIFICATION RECOMMENDED

ACTION CATEGORY:	IMMEDIATELY ON SPECIFIED FAILURE AGREEABLE TIME	STANDARDS:	LABOR 0.5 Hours	
LOCATION CATEGORY:	CUSTOMER INSTALLABLE ON-SITE SERVICE CENTER	SERVICE INVENTORY:	RETURN SCRAP SEE TEXT	USED PARTS: RETURN SCRAP SEE TEXT
AVAILABILITY:	PRODUCT'S SUPPORT LIFE	AGILENT RESPONSIBLE UNTIL: March 2000		
AUTHOR: DBG	ENTITY: E610	ADDITIONAL INFORMATION:		



Operation Sequence:

1. Place double-sided tape (item 16) on top and bottom faces. Press down firmly on the tape for better adhesion.
2. Fit prom assy (item 10) to position U15 on PC Board (item 2).
3. Fit prom assy (item 11) to position U43 on PC Board (item 2).
4. Fit standoff (item 4) to PC board (item 2) using 2 flat washers (item 6) 2 lock washers (item 7) and 2 nuts (item 8).
5. Fit ribbon cable end (item 12) to position J2 on PC Board.
6. Fit ribbon cable end (item 13) to position J5 on PC Board.
7. Fit ribbon cable end (item 14) to position J7 on PC Board.
8. Place PC Board assembly (item 2) in place and secure using stud (item 3).
9. Fit screw (item 5) and washer (item 6) through disc drive assembly and tighten into standoff (item 4) on PC Board.
10. Fit screw (item 9) through PC Board and tighten into panel assembly (item 1).
11. Fit label (item 15) onto circuit side of PC Board (item 2).

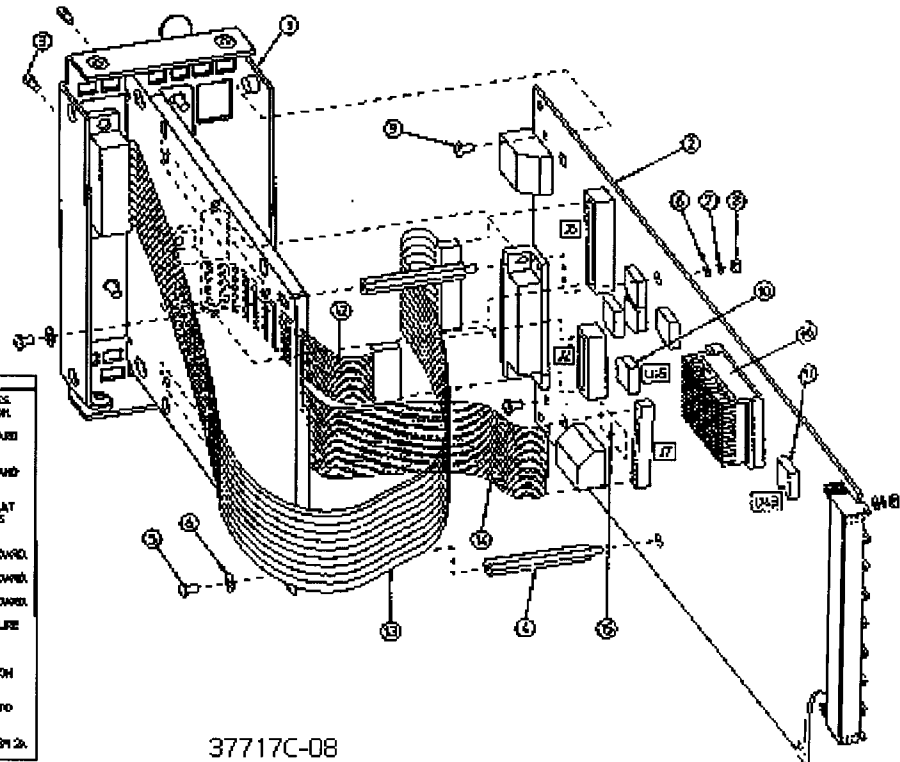
**PROCESSOR MODULE A18
PROCESSOR MODULE A30**

PARTS LIST A18	HP PART NO	QTY	ITEM
Panel, Processor Module	37716-0070	1	1
A30 Proc. + LAN PCB	37716-0028	1	2
Stand-off (3)	37716-0029	3	3
Screw (10) x 0.811	37716-0027	10	4
Flat Washer	37716-0028	2	5
Washer (10) x 0.811	37716-0029	10	6
Washer (10) x 0.811	37716-0029	10	7
Stand-off (3)	37716-0029	3	8
Stand-off (3)	37716-0029	3	9
Stand-off (3)	37716-0029	3	10
Label (1)	37716-0028	1	11
Label (1)	37716-0028	1	12
Label (1)	37716-0028	1	13
Label (1)	37716-0028	1	14
Label (1)	37716-0028	1	15
Label (1)	37716-0028	1	16
Label (1)	37716-0028	1	17
Label (1)	37716-0028	1	18
Label (1)	37716-0028	1	19
Label (1)	37716-0028	1	20
Label (1)	37716-0028	1	21
Label (1)	37716-0028	1	22
Label (1)	37716-0028	1	23
Label (1)	37716-0028	1	24
Label (1)	37716-0028	1	25
Label (1)	37716-0028	1	26
Label (1)	37716-0028	1	27
Label (1)	37716-0028	1	28
Label (1)	37716-0028	1	29
Label (1)	37716-0028	1	30
Label (1)	37716-0028	1	31
Label (1)	37716-0028	1	32
Label (1)	37716-0028	1	33
Label (1)	37716-0028	1	34
Label (1)	37716-0028	1	35
Label (1)	37716-0028	1	36
Label (1)	37716-0028	1	37
Label (1)	37716-0028	1	38
Label (1)	37716-0028	1	39
Label (1)	37716-0028	1	40
Label (1)	37716-0028	1	41
Label (1)	37716-0028	1	42
Label (1)	37716-0028	1	43
Label (1)	37716-0028	1	44
Label (1)	37716-0028	1	45
Label (1)	37716-0028	1	46
Label (1)	37716-0028	1	47
Label (1)	37716-0028	1	48
Label (1)	37716-0028	1	49
Label (1)	37716-0028	1	50
Label (1)	37716-0028	1	51
Label (1)	37716-0028	1	52
Label (1)	37716-0028	1	53
Label (1)	37716-0028	1	54
Label (1)	37716-0028	1	55
Label (1)	37716-0028	1	56
Label (1)	37716-0028	1	57
Label (1)	37716-0028	1	58
Label (1)	37716-0028	1	59
Label (1)	37716-0028	1	60
Label (1)	37716-0028	1	61
Label (1)	37716-0028	1	62
Label (1)	37716-0028	1	63
Label (1)	37716-0028	1	64
Label (1)	37716-0028	1	65
Label (1)	37716-0028	1	66
Label (1)	37716-0028	1	67
Label (1)	37716-0028	1	68
Label (1)	37716-0028	1	69
Label (1)	37716-0028	1	70
Label (1)	37716-0028	1	71
Label (1)	37716-0028	1	72
Label (1)	37716-0028	1	73
Label (1)	37716-0028	1	74
Label (1)	37716-0028	1	75
Label (1)	37716-0028	1	76
Label (1)	37716-0028	1	77
Label (1)	37716-0028	1	78
Label (1)	37716-0028	1	79
Label (1)	37716-0028	1	80
Label (1)	37716-0028	1	81
Label (1)	37716-0028	1	82
Label (1)	37716-0028	1	83
Label (1)	37716-0028	1	84
Label (1)	37716-0028	1	85
Label (1)	37716-0028	1	86
Label (1)	37716-0028	1	87
Label (1)	37716-0028	1	88
Label (1)	37716-0028	1	89
Label (1)	37716-0028	1	90
Label (1)	37716-0028	1	91
Label (1)	37716-0028	1	92
Label (1)	37716-0028	1	93
Label (1)	37716-0028	1	94
Label (1)	37716-0028	1	95
Label (1)	37716-0028	1	96
Label (1)	37716-0028	1	97
Label (1)	37716-0028	1	98
Label (1)	37716-0028	1	99
Label (1)	37716-0028	1	100

PARTS LIST A30	HP PART No	QTY	ITEM
Same as above except:			
A30 Proc. + LAN PCB	37716-0028	1	2

- INSTALLATION SEQUENCE**
1. PLACE DESIG. TAPE (ITEM 11) ON TOP AND BOTTOM EDGES. PRESS DOWN FIRMLY ON THE TAPE FOR BETTER ADHESION.
 2. FIT FROM ASSEMBLY (ITEM 18) TO POSITION (1) ON PCB BOARD (ITEM 2).
 3. FIT FROM ASSEMBLY (ITEM 21) TO POSITION (1) ON PCB BOARD (ITEM 2).
 4. FIT STANDOFF (ITEM 1) TO PCB BOARD (ITEM 2) USING 2 FLAT WASHERS (ITEM 5) & 2 LOCK WASHERS (ITEM 7) AND 2 NUTS (ITEM 6).
 5. FIT RIBBON CABLE (1) (ITEM 19) TO POSITION (1) ON PCB BOARD.
 6. FIT RIBBON CABLE (2) (ITEM 20) TO POSITION (1) ON PCB BOARD.
 7. FIT RIBBON CABLE (3) (ITEM 14) TO POSITION (1) ON PCB BOARD.
 8. PLACE PCB BOARD ASSEMBLY (ITEM 2) IN PLATE AND SECURE USING SCREWS (ITEM 3).
 9. FIT SCREW (ITEM 3) AND WASHER (ITEM 5) THROUGH DEC. (ITEM 2) ASSEMBLY AND TIGHTEN INTO STANDOFF (ITEM 1) ON PCB BOARD.
 10. FIT SCREW (ITEM 3) THROUGH PCB BOARD AND TIGHTEN INTO RIBBON ASSEMBLY (ITEM 2).
 11. FIT LABEL (ITEM 15) ONTO FRONT SIDE OF PCB BOARD (ITEM 2).

- NOTES**
1. TORQUE (ITEM 3) TO 30-in-lb.
 2. TORQUE (ITEM 3, 5, AND 9) TO 40-in-lb.



37717C-08